



Operating Instructions and Parts Manual

2 x 72-inch Square Wheel Belt Grinder

Model J-4103



JET
427 New Sanford Road
LaVergne, Tennessee 37086
Ph.: 800-274-6848
www.jettools.com

Part No. M-577000
Revision E 08/2018
Copyright © 2018 JET



1.0 IMPORTANT SAFETY INSTRUCTIONS

- Misuse of this machine can cause serious injury.
- For safety, machine must be set up, used and serviced properly.
- Read, understand and follow instructions in the operator's manual and all labels affixed to the machine.

When setting up machine:

- Always avoid using machine in damp or poorly lighted work areas.
- Always be sure machine is securely anchored to the floor.
- Always keep machine guards in place.
- Always put start switch in OFF position before plugging in machine.

When using machine:

- Never operate with machine guards missing.
- Always wear safety glasses with side shields (See ANSI Z87.1)
- Never wear loose clothing or jewelry.
- Never overreach – you may slip and fall into the machine.
- Never leave machine running while you are away from it.
- Always shut off the machine when not in use.

When servicing machine:

- Always unplug machine from electrical power while servicing.
- Always follow instructions in operators and parts manual when changing accessory tools or parts.
- Never modify the machine without consulting JET.

1.1 Machinery general safety warnings

1. Always wear protective eye wear when operating machinery. Eye wear shall be impact resistant, protective safety glasses with side shields which comply with ANSI Z87.1 specifications. Use of eye wear which does not comply with ANSI Z87.1 specifications could result in severe injury from the breakage of the eye protection.
2. Wear proper apparel. No loose clothing or jewelry which can get caught in moving parts. Contain long hair. Rubber soled, nonslip footwear is recommended for best footing.
3. Do not overreach. Failure to maintain a proper working position can cause you to fall into the machine or cause your clothing to get caught — pulling you into the machine.

4. Keep guards in place and in proper working order. Do not operate the machine with the guards removed.
5. Avoid dangerous working environments. Do not use stationary machine tools in wet or damp locations. Keep work areas clean and well lit.
6. Avoid accidental starts by being sure that the start switch is in the "OFF" position before plugging in the machine.
7. Never leave the machine running while unattended. The machine shall be shut off whenever it is not being used.
8. Disconnect the electrical power before servicing, whenever changing accessories or when general maintenance is done on the machine.
9. Maintain all machine tools with care. Follow all maintenance instructions for lubricating and the changing of accessories. No attempt shall be made to modify or have makeshift repairs done to the machine. This not only voids the warranty but also renders the machine unsafe.
10. If there is any risk of tipping or sliding, the machinery must be anchored to the floor.
11. Secure your work. Use clamps or a vise to hold your work, when practical. It is safer than using your hands and it frees both hands to operate the machine.
12. Never brush chips away while the machine is in operation.
13. Keep work area clean. Cluttered areas invite accidents.
14. Remove adjusting keys and wrenches before turning the machine on.
15. Use the right tool. Don't force a tool or attachment to do a job for which it was not designed.
16. Use only recommended accessories and follow manufacturer's instructions pertaining to them.
17. Keep hands in sight and clear of all moving parts and cutting surfaces.
18. All visitors should be kept at a safe distance from the work area. Make your workshop completely safe by using padlocks, master switches, or by removing starter keys.
19. Know the tool you are using; its application, limitations, and potential hazards.
20. This machine must be grounded in accordance with the National Electrical Code and local codes and ordinances. The work should be done by a qualified electrician. The machine should be grounded to protect the user from electrical shock.

1.2 Safety requirements for abrasive grinding machines

Abrasive grinding can be hazardous to operators and bystanders. Grinding sparks, chips and dust particles thrown off by the grinding disc or belt can cause serious injury by contact or inhalation. To avoid such injuries you must comply with the following safety requirements:

1. Always wear protective eyewear when operating machinery. Eye wear shall be impact resistant, protective safety glasses with side shields which comply with ANSI Z87.1. Use of eye wear which does not comply with ANSI Z87.1 specifications could result in severe injury from breakage of eye protection. See Figure A, below.
2. Wear leather safety gloves, arm guards, leather aprons and safety shoes.
3. A dust collection system is recommended, Operator shall also wear a dust mask at all times. See Figure B, below.
4. Additional precautions may be necessary for grinding materials which are flammable or have other hazardous properties. You should always consult the manufacturer of such materials for instructions on grinding and handling.
5. Do not force or jamb the workpiece into the grinding disc/belt.
6. Before grinding, always allow the motor to come up to operating speed, then check the grinding disc for wobble, runout, or any unbalanced condition. If the disc is not operating accurately and smoothly, immediately stop the motor and make repairs before attempting any grinding operations.
7. Abrasives must be stored in a controlled environment area. Relative humidity should be 35% to 50% and the temperature should be between 60 and 80 degrees Fahrenheit. Failure to do so could cause premature abrasive failure.
8. Examine the face of the grinding disc/belt carefully. Excessive grinding which wears down to the backing material can tear the abrasive. Never use an abrasive which shows backing,

nicks or cuts on the surface or edge or damage due to creasing or poor handling.

9. When installing a new disc, be certain the disc is accurately centered on the drive wheel. Failure to do so could cause a serious unbalanced condition.
10. Always present the workpiece to the wheel while resting the workpiece firmly on the table. Failure to do so could result in damage to the workpiece or throwing of the workpiece off the wheel.
11. Safety shoes which comply with ANSI Z41.1 shall be worn. See Figure C.
12. Personal hearing protection such as ear plugs or ear muffs shall be used to protect against the effect of noise exposure. See Figure D.

⚠ WARNING: This product can expose you to chemicals including methyl isobutyl ketone which is known to the State of California to cause cancer and birth defects or other reproductive harm. For more information go to <http://www.p65warnings.ca.gov>.

⚠ WARNING: Some dust, fumes and gases created by power sanding, sawing, grinding, drilling, welding and other construction activities contain chemicals known to the State of California to cause cancer and birth defects or other reproductive harm. Some examples of these chemicals are:

- lead from lead based paint
- crystalline silica from bricks, cement and other masonry products
- arsenic and chromium from chemically treated lumber

Your risk of exposure varies, depending on how often you do this type of work. To reduce your exposure to these chemicals, work in a well-ventilated area and work with approved safety equipment, such as dust masks that are specifically designed to filter out microscopic particles. For more information go to <http://www.p65warnings.ca.gov/> and <http://www.p65warnings.ca.gov/wood>.



Figure A

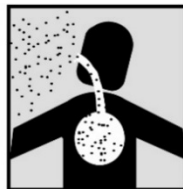


Figure B



Figure C



Figure D

Familiarize yourself with the following safety notices used in this manual:

CAUTION This means that if precautions are not heeded, it may result in minor injury and/or possible machine damage.

WARNING This means that if precautions are not heeded, it may result in serious, or possibly even fatal, injury.

1.3 Switch lockout

To safeguard your machine from unauthorized operation and accidental starting by young children, the use of a padlock (not included) is highly recommended. See Figure 1-1. Place the key in a location that is inaccessible to children and others not qualified to use the tool.

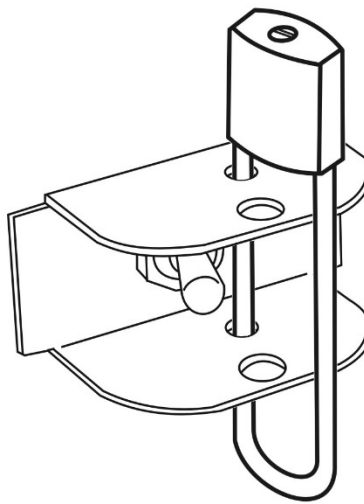


Figure 1-1

2.0 Table of contents


Section	Page
1.0 IMPORTANT SAFETY INSTRUCTIONS	2
1.1 Machinery general safety warnings	2
1.2 Safety requirements for abrasive grinding machines	3
1.3 Switch lockout	4
2.0 Table of contents.....	5
3.0 About this manual	5
4.0 General Specifications	6
5.0 Setup and assembly.....	7
5.1 Contents of carton	7
5.2 Installing work rest.....	7
6.0 Electrical connections	7
6.1 GROUNDING INSTRUCTIONS	7
6.2 Voltage conversion.....	8
6.3 Extension cords.....	8
7.0 Adjustments	8
7.1 Platen or Wheel installation.....	8
7.2 Platen wheel adjustment	9
7.3 Grinding belt replacement	9
7.4 Belt tracking.....	9
8.0 Operating controls.....	10
8.1 Thermal overload	10
8.2 Typical uses for the Square Wheel Belt Grinder	10
9.0 User-maintenance.....	11
9.1 Cleaning	11
9.2 Lubrication.....	11
9.3 Contact wheel replacement.....	11
9.4 Additional servicing	11
10.0 Troubleshooting J-4103 Square Wheel Belt Grinder	12
11.0 Replacement Parts.....	13
11.1 J-4013 Square Wheel Belt Grinder – Exploded View.....	13
11.2 J-4013 Square Wheel Belt Grinder – Parts List	14
12.0 Electrical Connections for J-4103 Belt Grinder	16
13.0 Warranty and Service.....	17

3.0 About this manual

This manual is provided by JET, covering the safe operation and maintenance procedures for a JET Model J-4103 Square Wheel Belt Grinder. This manual contains instructions on installation, safety precautions, general operating procedures, maintenance instructions and parts breakdown. Your machine has been designed and constructed to provide consistent, long-term operation if used in accordance with the instructions set forth in this document.

If there are questions or comments, please contact your local supplier or JET. JET can also be reached at our web site: www.jettools.com.

Retain this manual for future reference. If the machine transfers ownership, the manual should accompany it.

 **WARNING Read and understand the entire contents of this manual before attempting assembly or operation! Failure to comply may cause serious injury!**

Register your product using the mail-in card provided, or register online:

<http://www.jettools.com/us/en/service-and-support/product-registration/>

4.0 General Specifications

The JET J-4103 Square Wheel Belt Grinder is designed for grinding, deburring, chamfering, and internal/external grinding of small and large parts. The Grinder can be used to polish or buff finished parts and grind small internal radii using available accessories. Accessory changeover is quick and easy. Belt tension and tracking are easily adjustable.

Table 1

Model number	J-4103
Stock number	577000
Motor and Electricals	
Motor type	Totally enclosed, fan cooled, induction
Horsepower	1 HP
Motor phase	Single
Motor voltage	115/230 V (prewired 115V)
Cycle	60 Hz
Listed FLA (full load amps)	13/6.5 A
Motor speed	1750 RPM
Power transfer	Direct drive
On/off switch	Toggle, with lock-out holes
Power cord and plug	SJT 16AWG 300V, 8 ft., with 15A plug
Recommended circuit size ¹	15 A
Capacities and dimensions	
Belt included, LxW	50 grit; 72 x 2 in. (1829 x 50.8 mm)
Contact wheels included, Dia. x W	1-1/2 x 2 (38 x 50.8 mm) smooth 3 x 2 (76.2 x 50.8 mm) smooth 8 x 2 (203.2 x 50.8 mm) serrated
Overall dimensions LxWxH (approximate)	17 x 31 x 17 in. (43.2 x 78.8 x 43.2 cm)
Shipping carton LxWxH (approx.)	30-3/4 x 17-1/2 x 18 (78 x 44.5 x 45.7 cm)
Main materials	
Frame	Steel
Contact wheel, 8-inch	Rubber, 90 Durometer
Contact wheel, 3 x 2-inch	Rubber, 70 Durometer
Contact wheel, 1.5 x 2-inch	Rubber, 70 Durometer
Idler wheel	Rubber
Drive wheel	Steel
Platen	Steel
Head casting	Cast iron
Weights	
Net weight (approx.)	163 lb. (74 kg)
Shipping weight (approx.)	168 lb. (76.2 kg)

¹ subject to local/national electrical codes.

L = length, W = width, H = height, Dia. = diameter

The specifications in this manual were current at time of publication, but because of our policy of continuous improvement, JET reserves the right to change specifications at any time and without prior notice, without incurring obligations.

⚠WARNING Read and understand all assembly instructions before attempting assembly. Failure to comply may cause serious injury.

5.0 Setup and assembly

5.1 Contents of carton

- 1 Grinder
- 1 Platen assembly (installed)
- 1 Serrated contact wheel 8"x2"
- 1 Work rest
- 1 Socket head cap screw
- 1 Hex key (Allen wrench) 5/16"
- 1 Grinding belt 50G
- 1 Operating Instructions and Parts Manual
- 1 Product registration card

5.2 Installing work rest

The work rest mounts to left side of head casting. Attach work rest with provided socket head cap screw.

The slot in the work rest has a lip against which the cap screw is tightened. Place the hole at end of slot over the cap screw. Then slide work rest inward until work rest is in position in front of contact wheel. Tighten cap screw.

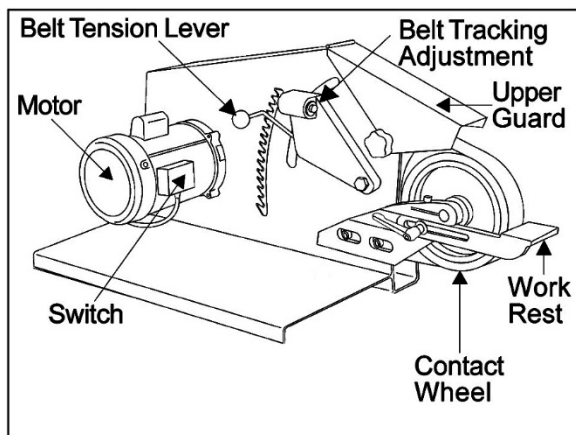


Figure 5-1: Square Wheel Grinder features

6.0 Electrical connections

⚠WARNING Electrical connections must be made by a qualified electrician in compliance with all relevant codes. This machine must be properly grounded to help prevent electrical shock and possible fatal injury.

The J-4103 Square Wheel Grinder is pre-wired for 115V power. It may be converted to 230V power; see sect. 6.2.

It is recommended that the grinder be connected to a dedicated 15-amp circuit with circuit breaker or

fuse. If connected to a circuit protected by fuses, use time-delay fuse marked "D". **Local codes take precedence over recommendations.**

6.1 GROUNDING INSTRUCTIONS

1. All Grounded, Cord-connected Tools:

This machine must be grounded. In the event of a malfunction or breakdown, grounding provides a path of least resistance for electric current to reduce the risk of electric shock. This tool is equipped with an electric cord having an equipment-grounding conductor and a grounding plug. The plug must be plugged into a matching outlet that is properly installed and grounded in accordance with all local codes and ordinances.

Do not modify the plug provided - if it will not fit the outlet, have the proper outlet installed by a qualified electrician.

Improper connection of the equipment-grounding conductor can result in a risk of electric shock. The conductor with insulation having an outer surface that is green with or without yellow stripes is the equipment-grounding conductor. If repair or replacement of the electric cord or plug is necessary, do not connect the equipment-grounding conductor to a live terminal.

Before connecting to power source, be sure the switch is in *off* position.

⚠WARNING Check with a qualified electrician or service personnel if the grounding instructions are not completely understood, or if in doubt as to whether the tool is properly grounded. Failure to comply may cause serious or fatal injury.

Use only 3-wire extension cords that have 3-prong grounding plugs and 3-pole receptacles that accept the tool's plug.

Repair or replace damaged or worn cord immediately.

2. Grounded, cord-connected tools intended for use on a supply circuit having a nominal rating **less than 150** volts:

This tool is intended for use on a circuit that has an outlet that looks like the one illustrated in **A**, Figure 13. An adapter, shown in **B** and **C**, may be used to connect this plug to a 2-pole receptacle as shown in **B** if a properly grounded outlet is not available. The temporary adapter should be used only until a properly grounded outlet is available. The green-colored rigid ear, lug, and the like, extending from the adapter must be connected to a permanent ground such as a properly grounded outlet box.

In Canada, the use of a temporary adaptor is not permitted by the Canadian Electrical Code, C22.1.

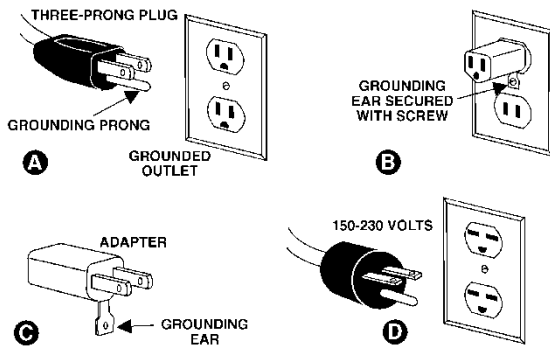


Figure 6-1

3. Grounded, cord-connected tools intended for use on a supply circuit having a nominal rating between **150 - 250 volts, inclusive:**

This tool is intended for use on a circuit that has an outlet that looks like the one illustrated in **D**, Figure 6-1. The tool is intended to be used with a grounding plug that looks like the plug illustrated in **D**. Make sure the tool is connected to an outlet having the same configuration as the plug. No adapter is available or should be used with this tool. If the tool must be reconnected for use on a different type of electric circuit, the reconnection should be made by qualified service personnel; and after reconnection, the tool should comply with all local codes and ordinances.

6.2 Voltage conversion

To convert the grinder to 230-volt, single-phase operation:

1. Switch the motor lead wires inside the motor junction box, according to diagram found inside junction box cover. A similar diagram is at the back of this manual.
2. The supplied 115V plug must be replaced with a UL/CSA listed plug suitable for 230V operation.

6.3 Extension cords

The use of extension cords is discouraged; try to position your machine within reach of the power supply. If an extension cord becomes necessary, make sure the cord rating is suitable for the amperage listed on the machine's motor plate. An undersized cord will cause a drop in line voltage resulting in loss of power and overheating.

Use the chart in Table 2 as a general guide in choosing the correct size cord. If in doubt, use the next heavier gauge. The smaller the gauge number, the heavier the cord.

Recommended Gauges (AWG) of Extension Cords

Ampere Rating		Volts	Total length of cord in feet			
More Than	Not More Than	120	25	50	100	150
		240	50	100	200	300
			AWG			
0	6		18	16	16	14
6	10		18	16	14	12
10	12		16	16	14	12
12	16		14	12	Not Recommended	

Table 2

7.0 Adjustments

7.1 Platen or Wheel installation

⚠ WARNING Move switch to OFF to avoid personal injury.

Refer to Figures 5-1 and 7-1.

To install either the platen or the 8-inch serrated wheel:

1. Lower tension lever to release belt tension.
2. Loosen upper guard knob and swing guard back for clearance.
3. Loosen clamping screw on head casting.
4. Install pivot shaft of platen (or shaft of wheel) all the way into head casting.
5. Position platen as desired:
 - For grinding flat or angular workpieces, position platen with platen surface facing outward.
 - For grinding of cylindrical workpieces, position platen with "yoke" side facing outward.
6. Set platen at desired angle and tighten clamping screw.
7. Install and track the abrasive belt (see sect. 7.3 and 7.4).
8. Raise tension lever to set belt tension.
9. Bring upper guard down into position and adjust so that it will not contact abrasive belt. Tighten upper guard knob.

7.2 Platen wheel adjustment

The platen wheels have eccentric shafts, which allow adjustment of the wheels tangent to the surface of the platen.

Turn screw (A, Figure 7-1) to adjust.

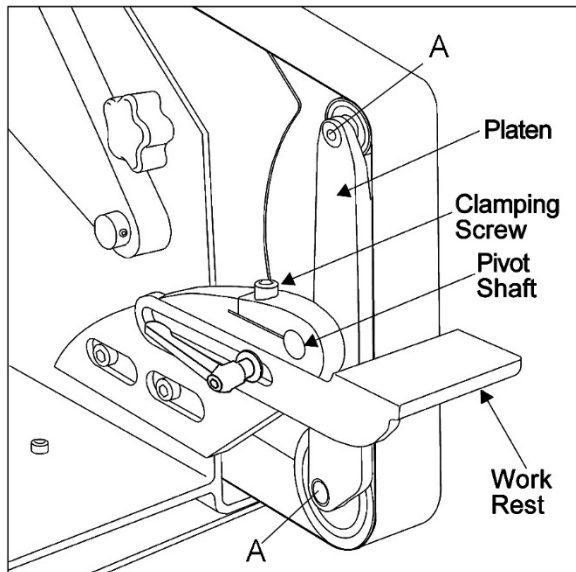


Figure 7-1: installing platen assembly

7.3 Grinding belt replacement

WARNING Do not operate machine with side panel open.

1. Refer to Figure 7-2. Lower belt tension lever to release tension on belt.
2. Loosen knob and raise upper guard. Open side panel by turning its knob.
3. If required, loosen work rest to provide clearance for belt removal.
4. Remove belt from drive wheel, idler wheel, and contact wheel. Install replacement belt centered over drive wheel, idler wheel, and contact wheel. Make sure direction arrows on belt match machine operation.
5. Raise belt tension lever to tighten belt against the wheels. Tighten belt until it is just taut. Do not over-tension the abrasive belt. A moderate tension will provide faster cutting, longer belt life, and better tracking.
6. Check belt tracking; see sect. 7.4.

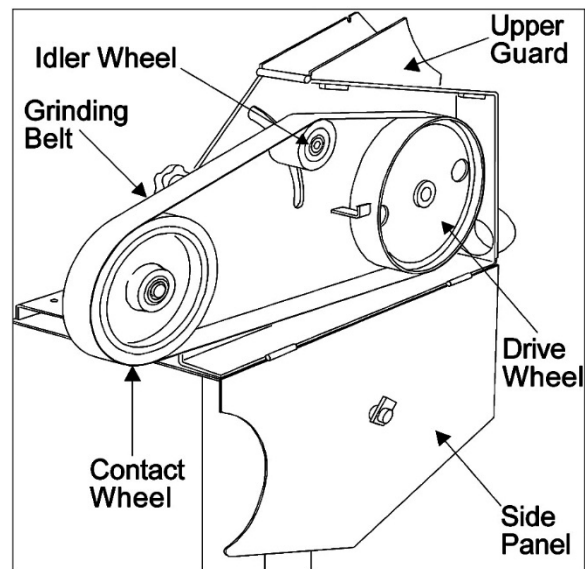


Figure 7-2: belt replacement

7.4 Belt tracking

WARNING Do not operate machine with side panel open.

1. Loosen knob and raise upper guard. Open side panel by turning its knob.
2. Spin drive wheel by hand and check tracking of belt. If belt tracks to right or left, adjustment is required.
3. Use the provided hex key to change alignment of idler wheel. Turn idler adjustment screw (Figure 7-3) clockwise to cause belt to track right. Turn idler screw counterclockwise to cause belt to track left.
4. Close side panel and secure by turning knob on panel. Lower upper belt guard and secure with knob.
5. Connect electrical power and turn on grinder. Check belt tracking; belt should remain centered on contact wheel. Make further adjustments as needed according to step #3.
6. If belt still does not track properly, increase belt tension and repeat steps 1 through 5.

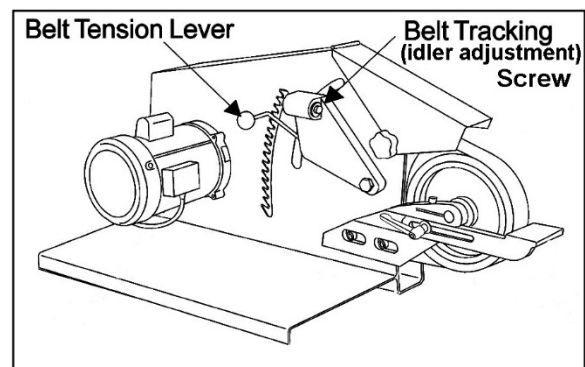


Figure 7-3: Belt tracking screw

8.0 Operating controls

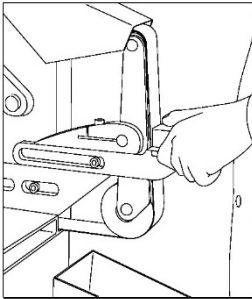
The ON/OFF toggle switch is located on the drive motor (Figure 5-1).

8.1 Thermal overload

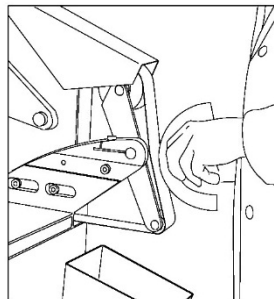
The motor has thermal overload protection; if the motor begins to overheat or draw excessive current, the motor will shut off automatically. To restart, allow motor to cool, then press reset button beneath motor.

8.2 Typical uses for the Square Wheel Belt Grinder

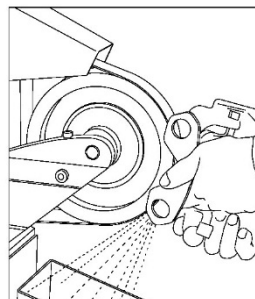
Figure 8-1



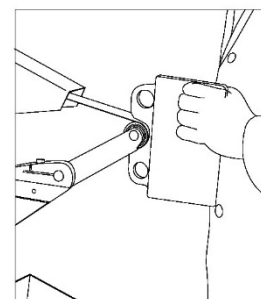
Flat or angular stock – Platen setting is the perfect angle for high speed, flat and level grinding of tools, knives, plastics, and other materials. The platen allows working to very close tolerances.



Shaping – For grinding and finishing cylindrical shapes. The yoke surface conforms to the shape of the workpiece surface to produce an even, smooth finish without the danger of scarring. Excellent for tool post applications.



Roughing – Serrated contact wheel is used for removing heavy stock, cleaning up a weld or snagging a casting. This durable 8-inch diameter wheel is used extensively for hollow grinding and profiling knives and other culinary tools.



Contouring – Grind difficult, hard-to-reach areas with the 3-inch by 2-inch, or 1-1/2 inch by 2-inch diameter contact wheels. Contour and shape unique parts such as propellers and metal furniture.

9.0 User-maintenance

⚠WARNING Always disconnect power to machine before performing maintenance. Failure to comply may result in serious personal injury.

9.1 Cleaning

Shut off machine before cleaning. Keep machine exterior clean and free of chips. Use a brush or vacuum to remove grinding dust and particles – do not use bare hands.

Periodically empty grinding dust from any attached dust collection system.

Periodically apply light coat of oil to exposed metal surfaces, such as the work rest, to inhibit rust.

9.2 Lubrication

Lubrication of the grinder is not required. The drive motor and contact wheel are fitted with sealed bearings.

9.3 Contact wheel replacement

⚠WARNING Move switch to OFF to avoid personal injury.

To assemble a new contact wheel to the existing contact wheel shaft (refer to Figure 9-1):

1. Lower tension lever to release belt tension.
2. Loosen upper guard knob and swing guard back for clearance.
3. Loosen clamping screw on head casting.

4. Remove contact wheel assembly.
5. Remove retaining rings from wheel shaft.
6. Remove shaft and wheel bearings.
7. Install bearings in replacement contact wheel.
8. Install shaft and secure with retaining rings.
9. Install contact wheel shaft in head casting.
10. Tighten clamping screw.
11. Lift tension lever to set belt tension.
12. Lower and adjust position of upper guard. Tighten upper guard knob.

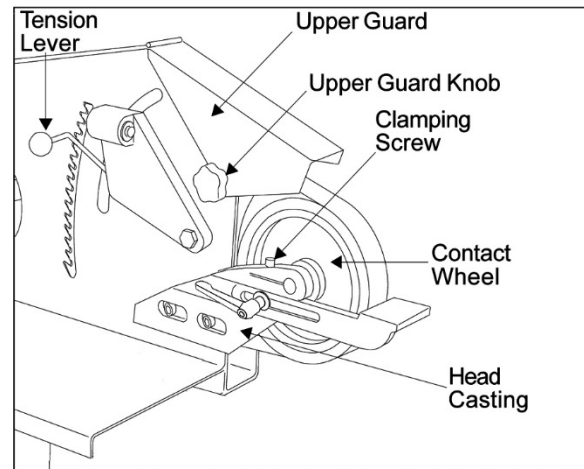


Figure 9-1: contact wheel replacement

9.4 Additional servicing

Any additional servicing should be performed by authorized service personnel.

10.0 Troubleshooting J-4103 Square Wheel Belt Grinder

Table 2

Symptom	Possible Cause	Correction *
Machine won't start.	No incoming power.	Verify machine connections.
	Cord damaged.	Replace cord.
	Building circuit breaker trips or fuse blows.	Verify that machine is on a circuit of correct size. If circuit size is correct, there is probably a loose electrical lead.
	Motor overloaded.	Blow out or vacuum motor fan area to promote proper air circulation. Allow machine to cool and press reset button below motor.
	Motor or switch failure.	Have tested by qualified electrician or motor repair shop, replace if needed.
Machine won't attain full speed.	Extension cord too light or too long.	Replace with adequate size extension cord.
	Low current.	Have voltage checked by qualified electrician.
Poor tracking.	Low voltage.	Check power line for proper voltage.
	Incorrect belt tension.	Set tension so belt is just taut.
	Worn contact surfaces.	Check elastomer on contact wheels. Replace worn wheels.
	Misaligned contact surfaces.	Check alignment of drive wheel and contact wheel - they must be aligned. To adjust drive wheel, loosen set screws and move drive wheel in or out on motor shaft as required. To adjust contact wheel, loosen shaft clamping screw and move contact wheel in or out as required.
	Lack of crown on drive wheel.	Check for 1/16-inch crown. Replace drive wheel if crown is not present.
	Worn bearings.	Check all bearings for overheating or damage. Replace worn or damaged bearings.
Slack belt.	Insufficient belt tension.	Set tension so belt is just taut.
Contact wheel wear.	Excessive belt tension.	Set tension so belt is just taut.
	Grinding in one area on belt.	Use entire width of belt whenever possible.
	Excessive grinding deposits on belt and debris in machine.	Clean abrasive belt and grinder interior.
Short belt life.	Excessive grinding pressure.	Allow the belt to do the cutting. Excessive pressure dulls the belt and removes the grit.

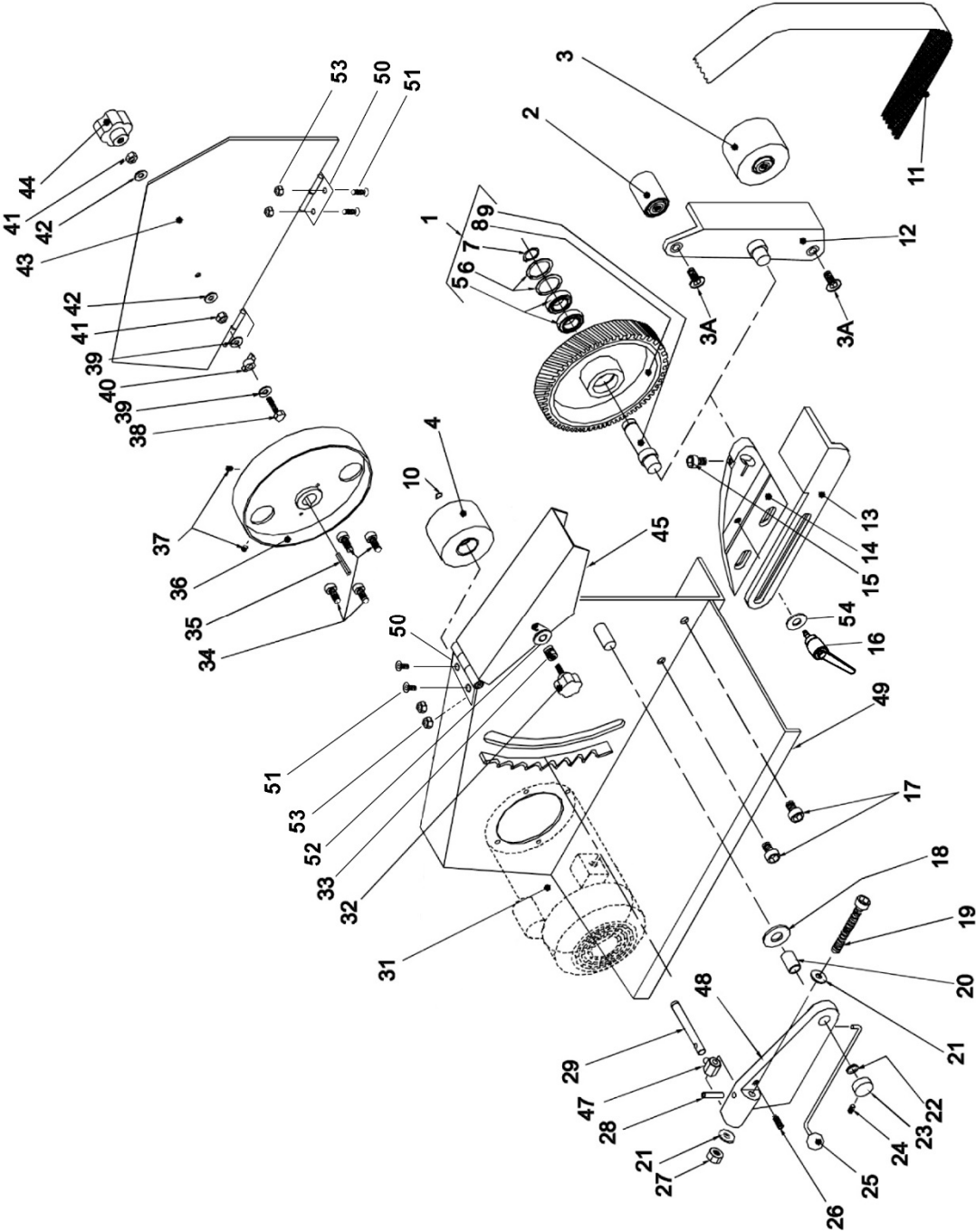
* **WARNING:** Some corrections may require a qualified electrician.

11.0 Replacement Parts

Replacement parts are listed on the following pages. To order parts or reach our service department, call 1-800-274-6848 Monday through Friday, 8:00 a.m. to 5:00 p.m. CST. Having the Model Number and Serial Number of your machine available when you call will allow us to serve you quickly and accurately.

Non-proprietary parts, such as fasteners, can be found at local hardware stores, or may be ordered from JET. Some parts are shown for reference only, and may not be available individually.

11.1 J-4013 Square Wheel Belt Grinder – Exploded View

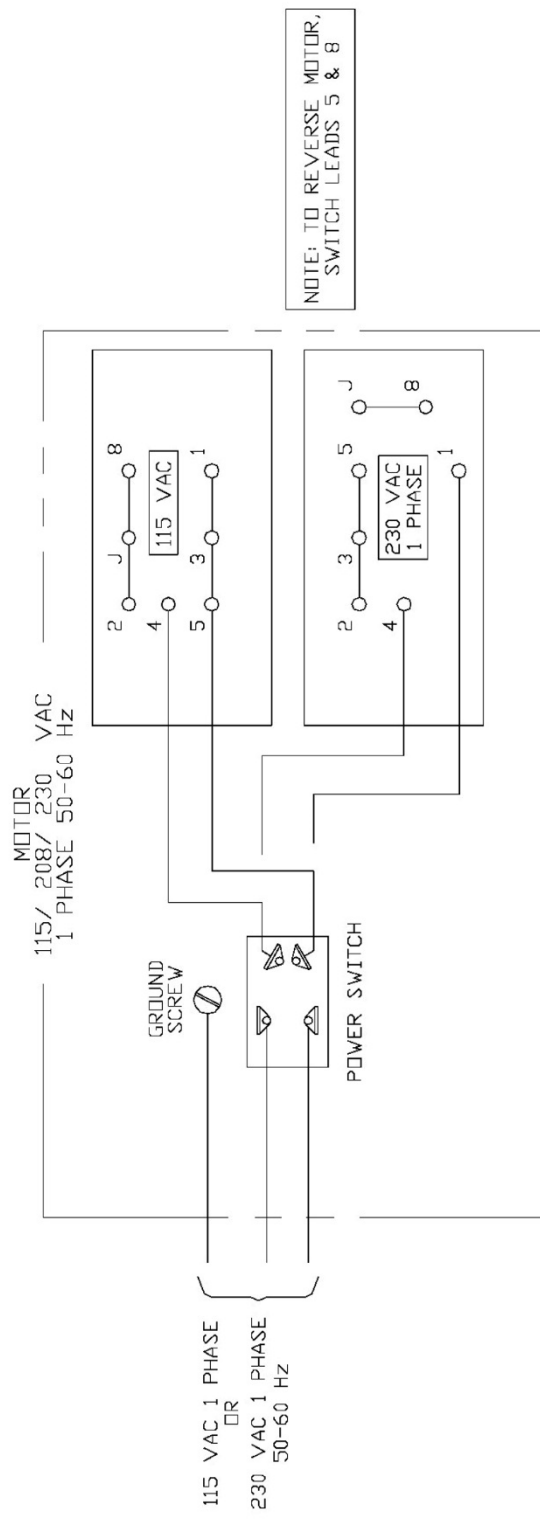


11.2 J-4013 Square Wheel Belt Grinder – Parts List

Index No	Part No	Description	Size	Qty
1	5507530	Contact Wheel Assembly (Serrated, 90 Duro)	8"x2"	1
2	5044590	Contact Wheel Assembly (70 Duro)	1-1/2" x 2"	1
	5057571	Contact Wheel	1-1/2" x 2" 70 Duro	1
	5048181	Contact Wheel Shaft	2"	1
	9100441	Ball Bearing	6200ZZ	3
3	5044610	Contact Wheel Assembly (70 Duro)	3"x2"	1
	5057581	Contact Wheel	3"x2" 70 Duro	1
	5048181	Contact Wheel Shaft	2"	1
	9100441	Ball Bearing	6200ZZ	3
3A	9049821	Flat Head Cap Screw	5/16"-18 x 3/4"	2
4	5507582	Idler Wheel		1
5	9100331	Ball Bearing	6203ZZ	2
6	9074011	Retaining Ring, Internal		2
7	9074081	Retaining Ring, External		2
8	5053221	Contact Wheel	8"x2" Serrated, 90 Duro	1
9	5053231	Shaft	for 8"x2" Wheel	1
10	9074381	Retaining Ring, External		1
11	9112811	Abrasive Belt (set of 10)	2 x 72, 50 Grit	1
12	J-5044400GE	Platen (<i>serial nos. after 12122017016</i>)		1
13	J-5044410GE	Work Rest (<i>serial nos. after 12122017016</i>)		1
14	J-5044370GE	Head Casting (<i>serial nos. after 12122017016</i>)		1
15	9128441	Socket Head Cap Screw	3/8"-16 x 1"	1
16	HM-MA38161	Adjustable Handle	3/8"-16 x 1"	1
17	9052321	Socket Head Cap Screw	3/8"-16 x 3/4"	2
18	9055361	Nylon Flat Washer	1/2" ID x 1-1/4" OD, 1/16" thk	1
19	9129861	Socket Head Cap Screw, Full Thrd	3/8"-24 x 3"	1
20	5046571	Oilite Bushing		1
21	9055381	Nylon Flat Washer	ø3/8" x 1/16" thk	2
22	9010271	O-Ring	1/2"	1
23	5044651	Idler Housing Pin Cap		1
24	9133041	Socket Head Set Screw, CPP	1/4"-20 x 1/4"	1
25	5046560	Tension Lever with Knob		1
26	9133191	Nylon Tipped Set Screw	5/16"-18 x 3/4"	1
27	9129561	Hex Nylon Lock Nut	3/8"-24	1
28	9059811	Roll Pin	3/16" x 1-1/2"	1
29	5053301	Idler Pulley Shaft		1
31	9066821	Motor with Switch	1HP 1PH 115/230V	1
32	9070361	Hand Knob		1
33	9070781	Allen Nut	5/16"-18	1
34	9128671	Hex Head Cap Screw w/Nylock	3/8"-16 x 3/4"	4
35	9114320	Key	3/16" x 3/16" x 1-1/4"	1
36	5044511	Drive Wheel	10", 5/8" Bore	1
37	6715116	Socket Head Set Screw	5/16"-18 x 1/2"	2
38	9052181	Hex Socket Head Screw	5/16"-18 x 1-1/2"	1
39	6861200	Lock Washer	5/16"	2
40	9070381	Cam Latch		1
41	9056271	Hex Jam Nut	5/16"-18	1
42	5507583	Nylon Washer	5/16"	2
43	5055311E	Door Assembly (<i>serial nos. after 12122017016</i>)		1
44	9070371	Hand Knob		1
45	J-5044630GE	Guard Flap Assembly (<i>serial nos. after 12122017016</i>)		1
47	5046600	Tracking Leader Assembly		1
48	J-5046540G	Idler Housing Casting		1
49	J-5053632GE	Main Frame Assembly (includes #43,45) (<i>serial nos. after 12122017016</i>)		1
50	47052	Flat Hinge	2" x 2" x 12ga	3
51	94198	Hex Socket Flat Hd Screw	#10-24x1/2"	6
52	11103122	Plastic Washer	1/4" x 3/4" x 1/16" thk	1
53	TS-0640061	Hex Nylon Lock Nut	#10-24	6

Index No	Part No	Description	Size	Qty
54	TS-0680041	Flat Washer	3/8"	1
	JET-113	JET Logo (not shown)	113 x 47mm	1
	9113591	Hex Key (not shown)	5/16"	1
	9142842	ID Plate, Square Wheel Grinder (not shown)		1
	9142861	Belt Tension Label (not shown)		1
	9145531	Machine Safety Label (not shown)		1
	9145601	Made in the USA Label (not shown)		1
	9145991	Combustion Warning Label (not shown)		1

12.0 Electrical Connections for J-4103 Belt Grinder



13.0 Warranty and Service

JET® warrants every product it sells against manufacturers' defects. If one of our tools needs service or repair, please contact Technical Service by calling 1-800-274-6846, 8AM to 5PM CST, Monday through Friday.

Warranty Period

The general warranty lasts for the time period specified in the literature included with your product or on the official JET branded website.

- JET products carry a limited warranty which varies in duration based upon the product. (See chart below)
- Accessories carry a limited warranty of one year from the date of receipt.
- Consumable items are defined as expendable parts or accessories expected to become inoperable within a reasonable amount of use and are covered by a 90 day limited warranty against manufacturer's defects.

Who is Covered

This warranty covers only the initial purchaser of the product from the date of delivery.

What is Covered

This warranty covers any defects in workmanship or materials subject to the limitations stated below. This warranty does not cover failures due directly or indirectly to misuse, abuse, negligence or accidents, normal wear-and-tear, improper repair, alterations or lack of maintenance. JET woodworking machinery is designed to be used with Wood. Use of these machines in the processing of metal, plastics, or other materials may void the warranty. The exceptions are acrylics and other natural items that are made specifically for wood turning.

Warranty Limitations

Woodworking products with a Five Year Warranty that are used for commercial or industrial purposes default to a Two Year Warranty. Please contact Technical Service at 1-800-274-6846 for further clarification.

How to Get Technical Support

Please contact Technical Service by calling 1-800-274-6846. **Please note that you will be asked to provide proof of initial purchase when calling.** If a product requires further inspection, the Technical Service representative will explain and assist with any additional action needed. JET has Authorized Service Centers located throughout the United States. For the name of an Authorized Service Center in your area call 1-800-274-6846 or use the Service Center Locator on the JET website.

More Information

JET is constantly adding new products. For complete, up-to-date product information, check with your local distributor or visit the JET website.

How State Law Applies

This warranty gives you specific legal rights, subject to applicable state law.

Limitations on This Warranty

JET LIMITS ALL IMPLIED WARRANTIES TO THE PERIOD OF THE LIMITED WARRANTY FOR EACH PRODUCT. EXCEPT AS STATED HEREIN, ANY IMPLIED WARRANTIES OF MERCHANTABILITY AND FITNESS FOR A PARTICULAR PURPOSE ARE EXCLUDED. SOME STATES DO NOT ALLOW LIMITATIONS ON HOW LONG AN IMPLIED WARRANTY LASTS, SO THE ABOVE LIMITATION MAY NOT APPLY TO YOU. JET SHALL IN NO EVENT BE LIABLE FOR DEATH, INJURIES TO PERSONS OR PROPERTY, OR FOR INCIDENTAL, CONTINGENT, SPECIAL, OR CONSEQUENTIAL DAMAGES ARISING FROM THE USE OF OUR PRODUCTS. SOME STATES DO NOT ALLOW THE EXCLUSION OR LIMITATION OF INCIDENTAL OR CONSEQUENTIAL DAMAGES, SO THE ABOVE LIMITATION OR EXCLUSION MAY NOT APPLY TO YOU.

JET sells through distributors only. The specifications listed in JET printed materials and on official JET website are given as general information and are not binding. JET reserves the right to effect at any time, without prior notice, those alterations to parts, fittings, and accessory equipment which they may deem necessary for any reason whatsoever. JET® branded products are not sold in Canada by JPW Industries, Inc.

Product Listing with Warranty Period

90 Days – Parts; Consumable items
1 Year – Motors; Machine Accessories
2 Year – Metalworking Machinery; Electric Hoists, Electric Hoist Accessories; Woodworking Machinery used for industrial or commercial purposes
5 Year – Woodworking Machinery
Limited Lifetime – JET Parallel clamps; VOLT Series Electric Hoists; Manual Hoists; Manual Hoist Accessories; Shop Tools; Warehouse & Dock products; Hand Tools; Air Tools

NOTE: JET is a division of JPW Industries, Inc. References in this document to JET also apply to JPW Industries, Inc., or any of its successors in interest to the JET brand.

This page intentionally left blank.

This page intentionally left blank.



427 New Sanford Road
LaVergne, Tennessee 37086
Phone: 800-274-6848
www.jettools.com